

Reel Lifter – positions reels gently and easily

When different reels, e.g. foil reels, cylinders or paper reels, are to be placed in unwinders, packing, or production machines, the Reel Lifter is the perfect choice. Space is often limited around or under the machine, and reels are often placed inside the machine, where the maneuverability is limited.

The Reel Lifter is compact and very maneuverable, and it can thus position the reel in the correct place in the machine. The Reel Lifter is the perfect partner for the Interthor Reel Rotator, which can take a reel from e.g. a pallet, rotate it and place it onto the Reel Lifter. The Reel Lifter can also be used together with a reel turning forklift attachment. The Reel Lifter will safely and smoothly transport the turned reels from the warehouse to the production area without damaging the paper.



Technical Specifications

Effortless and gentle positioning of reels in e.g. unwinders.

The axle/mandril that holds the reel in the unwinder is the same axle/mandril that is used to lift the reel with the Reel Lifter; hence this ensures that the reel will be placed perfectly into the unwinder.

With the flexible locking system, the Reel Lifter forks can easily be set to different reel sizes.

Special flow valve controls the lowering function and ensures a gentle positioning of the reel.

Strong construction and low maintenance costs.



Flexible locking system easily sets the Reel Lifter forks to different reel sizes.



Special flow valve ensures a controlled lowering and a gentle positioning of the reel.



The narrow and short Reel Lifter legs make it possible to take the reel the last steps into the machine.

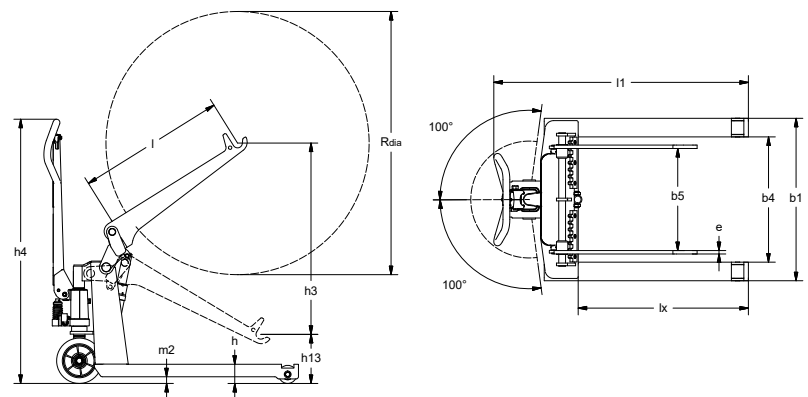
Product (measured in inch)		RL500
Capacity in lbs.		1100
Reel diameter	R_{dia}	max. 50
Reel width		max. 20.5
Lifting height	h_3	31.5
Overall height		46
Lowered height		h_{13}
Lifted height	$h_{13} + h_3$	41.35
Leg height		h
Fork span	b_5	4-20.5
Overall width		b_1
Width between legs		b_4
Fork width	e	10.6
Fork length		l
Run-in length		l_x
Overall length		l_1
Ground clearance		m_2
Turning angle		200°
Fork wheel		Ø3.25x2.36
Steering wheel		Ø7.75x2
Weight in lbs.		203



Compact, very maneuverable and ensuring the operator ergonomically correct working conditions.



Reel Lifter is the perfect partner for Reel Rotator or for a reel turning fork lift attachment.



We also offer tailor-made solutions.

Please ask for further information or visit our website www.interthor.com